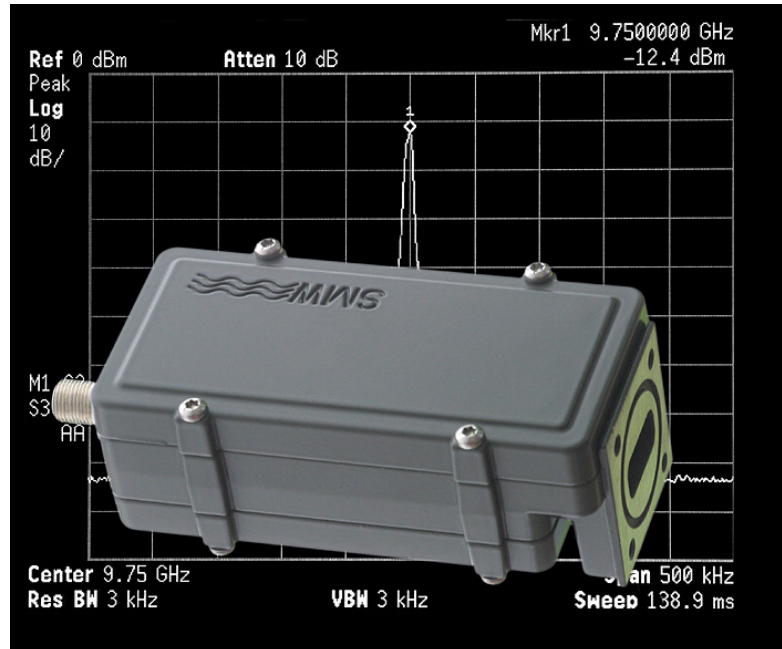


PLL-LNB



With Excellent Phase Noise

This PLL-LNB comes standard with Excellent Phase Noise for low data rate applications, but also in applications with higher rates. F- or N-output connector, wide frequency range and low noise figure.

All our LNBs are individually hand tuned to get the very best performance available for each unit. Quality and long term reliability is also essential. Therefore are all LNBs tested according to a very extensive test program, which includes heating, cooling, water-proof testing and rigorous electrical testing.

Swedish Microwave (SMW) was founded 1986 and is today a leading manufacturer of professional LNBs (Low Noise Blockdownconverters) for the Ku-band market. The company is located in Motala Sweden, and to date the products are installed in more than 80 countries.

All work is in-house allowing custom-design products, short delivery times, high flexibility, quick service and support.

Specification SMW PLL-High Stability

SMW PLL High Stability	9.75 GHz	10.0 GHz	10.25 GHz	10.5 GHz
Frequency range	10.7 - 11.8 GHz	10.95 - 12.1 GHz	11.2 - 11.7 GHz	11.45 - 12.2 GHz
LO frequency	9.75 GHz	10.0 GHz	10.25 GHz	10.5 GHz
Output frequency	950 - 2050 MHz	950 - 2100 MHz	950 - 1450 MHz	950 - 1700 MHz

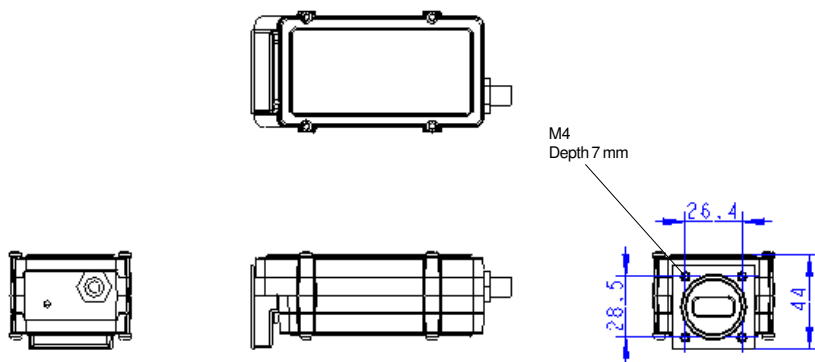
SMW PLL High Stability	10.6 GHz	10.7 GHz	10.75 GHz	11.2 GHz
Frequency range	11.7 - 12.75 GHz	11.65 - 12.75 GHz	11.7 - 12.75 GHz	12.2 - 12.75 GHz
LO frequency	10.6 GHz	10.7 GHz	10.75 GHz	11.2 GHz
Output frequency	1100 - 2150 MHz	950 - 2050 MHz	950 - 2000 MHz	1000 - 1550 MHz

SMW PLL High Stability	11.25 GHz	11.3 GHz	11.475 GHz
Frequency range	12.2 - 12.75 GHz	12.25 - 12.75 GHz	12.5 - 12.75 GHz
LO frequency	11.25 GHz	11.3 GHz	11.475 GHz
Output frequency	950 - 1500 MHz	950 - 1450 MHz	1025 - 1275 MHz

General Specification

LO stability	±100, ±150 kHz or ±250 kHz
Gain	60 dB typ. (55 dB min.)
Gain variation within 30 MHz max.	±0.4 dB
Gain variation max.	±4 dB
Noise Figure, typical	0.8 dB
LO Phase noise typical	-75 dBc @ 1 kHz -85 dBc @ 10 kHz -100 dBc @ 100 kHz -120 dBc @ >1 MHz
LO radiation	-60 dBm
Image rejection	40 dB min
P1dB	+5 dBm
IP3	+15 dBm
Input	WR-75 waveguide (R120)
Output (waterproof)	F-connector 75 ohm, N-connector 50 ohm or SMA-connector 50 ohm
Input VSWR	2.3:1 max
Output VSWR	2.1:1 max
DC power	12 - 24 V 270 mA typ
Operating temperature	-40 to +80 °C
Storage temperature	-40 to +80 °C
Dimensions	122 (127 N) x 56 x 44 mm
Weight	329 g (F- & SMA-connector) 345 g (N-connector)

Enclosed accessories	O-ring Screw M4 x 8 4 pcs
-----------------------------	------------------------------



SMW
SWEDISH MICROWAVE AB

Box 230
591 23 MOTALA, SWEDEN
Tel. +46 141 21 61 35
Fax. +46 141 21 52 24
e-mail: info@smw.se
Website: <http://www.smw.se>

