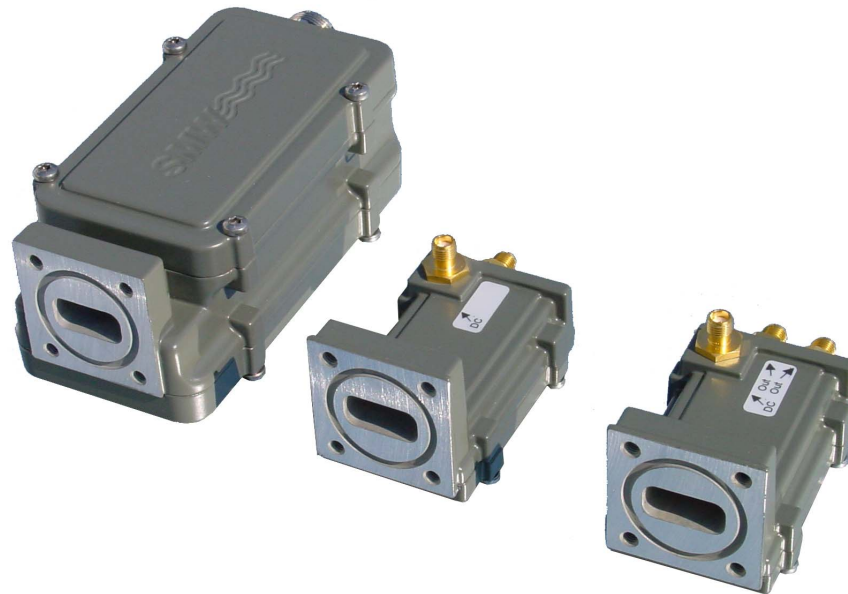


SMW Ku-band LNAs



With Low Noise Temperature

All models cover the whole Ku-band 10.7-12.75 GHz and the noise temperature is as low as 59K typical.

The LNAs are individually hand tuned to get the very best performance available for each unit. Quality and long term reliability is also essential. Therefore are all LNAs tested according to a very extensive test program, which includes heating, cooling, water-proof testing and rigorous electrical testing.

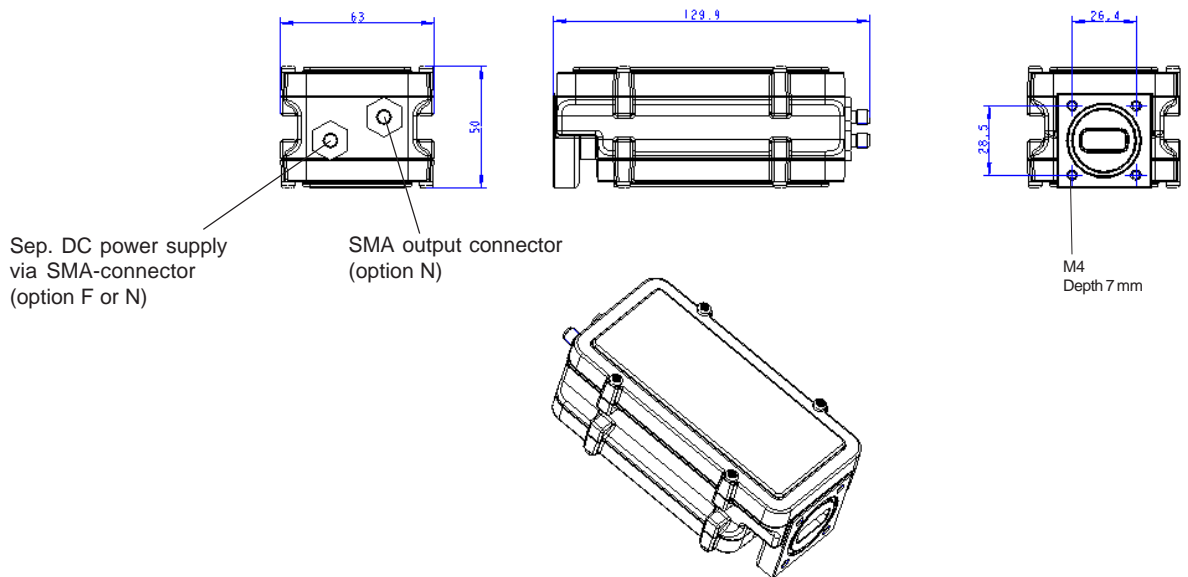
Swedish Microwave (SMW) was founded 1986 and is today a leading manufacturer of professional LNAs (Low Noise Blockdownconverters). The company is located in Motala Sweden, and to date the products are installed in more than 80 countries.

All work is in-house allowing custom-design products, short delivery times, high flexibility, quick service and support.

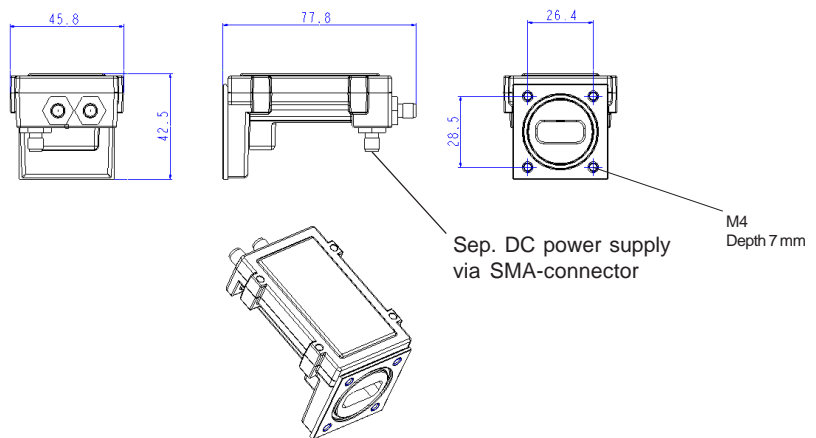
Specification SMW Ku-band LNA

SMW	LNA 43 dB SMA	LNA 30 dB SMA	LNA 24 dB Dual SMA
Frequency range	10.7 - 12.75 GHz	10.7 - 12.75 GHz	10.7 - 12.75 GHz
Gain typ.	43 dB	30 dB	24 dB
Gain variation max.	± 3 dB	± 3 dB	± 3 dB
Noise temp. typical	± 0.3 dB within 30 MHz	± 0.3 dB within 30 MHz	± 0.3 dB within 30 MHz
1 dB gain compression point	59K (0.8 dB)	59K (0.8 dB)	59K (0.8 dB)
3rd order intermodulation	0 dBm	0 dBm	-8 dBm
Input	+10 dBm	+10 dBm	+2 dBm
Output (waterproof)	Waveguide R120 (WR-75)	Waveguide R120 (WR-75)	Waveguide R120 (WR-75)
DC power via SMA-connector	SMA-connector 50 ohm Option N-connector 50 ohm	SMA-connector 50 ohm	SMA-connectors 50 ohm
Operating temperature	12-24V / 40 mA typ	12-24V / 20 mA typ	12-24V / 20 mA typ
Dimensions	Option F- or N-connector		
Weight	-40 to +80°C	-40 to +80°C	-40 to +80°C
	139 x 58 x 50 mm	81 x 40x 40 mm	81 x 40x 40 mm
	626 g	124 g	124 g

LNA 43 dB



LNA 30 & LNA 24 dB



SMW
SWEDISH MICROWAVE AB

Box 230
591 23 MOTALA, SWEDEN
Tel. +46 141 21 61 35
Fax. +46 141 21 52 24
e-mail: info@smw.se
Website: <http://www.smw.se>